



Anglo-Chinese School  
(Primary)

A Methodist Institution  
(Founded 1886)

2022 SEMESTRAL ASSESSMENT 1  
MATHEMATICS  
BOOKLET A  
PRIMARY FOUR

Name: \_\_\_\_\_ ( ) Class: Primary 4 \_\_\_\_

Date: 11 MAY 2022

Duration of Booklets A & B: 1 hour 45 minutes

**INSTRUCTIONS TO CANDIDATES**

1. This question paper consists of 7 printed pages, including the cover page.
2. Do not turn this page until you are told to do so.
3. Follow all instructions carefully.
4. Shade your answers on the Optical Answer Sheet (OAS) provided.

**SECTION A - Multiple Choice Questions (30 MARKS)**

Questions 1 to 15 carry 2 marks each.

For each question, four options are given. One of them is the correct answer. Make your choice (1, 2, 3 or 4). Shade the correct oval (1, 2, 3 or 4) on the Optical Answer Sheet (OAS).

1. Which one of the following numbers have the greatest value?
  - (1) 83 714
  - (2) 87 341
  - (3) 87 431
  - (4) 83 741
  
2. Which one of the following number when rounded off to the nearest hundred is 6000?
  - (1) 6138
  - (2) 6087
  - (3) 5986
  - (4) 5092
  
3. Which one of the following is **not** a common factor of 18 and 36?
  - (1) 6
  - (2) 18
  - (3) 3
  - (4) 36

4.  $2\frac{3}{7} = \frac{\square}{7}$

What is the missing number in the box?

- (1) 17
- (2) 14
- (3) 6
- (4) 5

5. A sticker printer can print 7680 stickers in 6 hours. How many stickers can the printer print in 4 hours?

- (1) 1280
- (2) 1920
- (3) 2560
- (4) 5120

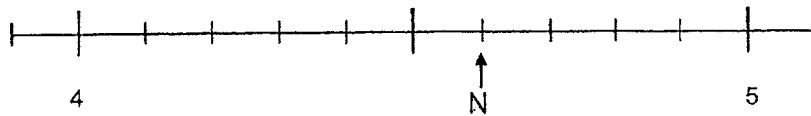
6.  $\frac{5}{12} + \frac{1}{4} = \underline{\hspace{2cm}}$

- (1)  $\frac{1}{2}$
- (2)  $\frac{1}{4}$
- (3)  $\frac{3}{8}$
- (4)  $\frac{8}{12}$

7. Which of the following is a multiple of both 4 and 6?

- (1) 46
- (2) 36
- (3) 28
- (4) 16

8. Which of the following mixed numbers is represented by the letter N in the number line shown?

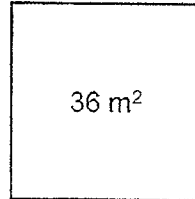


- (1)  $4\frac{4}{5}$
- (2)  $4\frac{3}{5}$
- (3)  $4\frac{2}{5}$
- (4)  $4\frac{1}{2}$

9. How many one-fifths are there in 6 wholes?

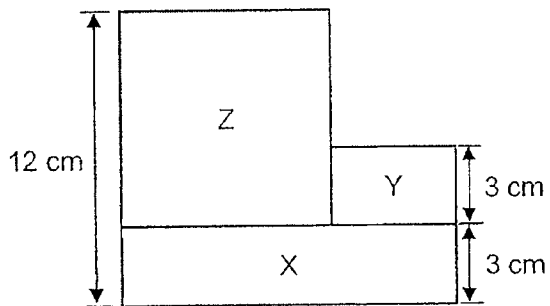
- (1) 30
- (2) 11
- (3) 6
- (4) 5

10. The area of the square carpet shown below is  $36 \text{ m}^2$ . What is the perimeter of the square carpet?



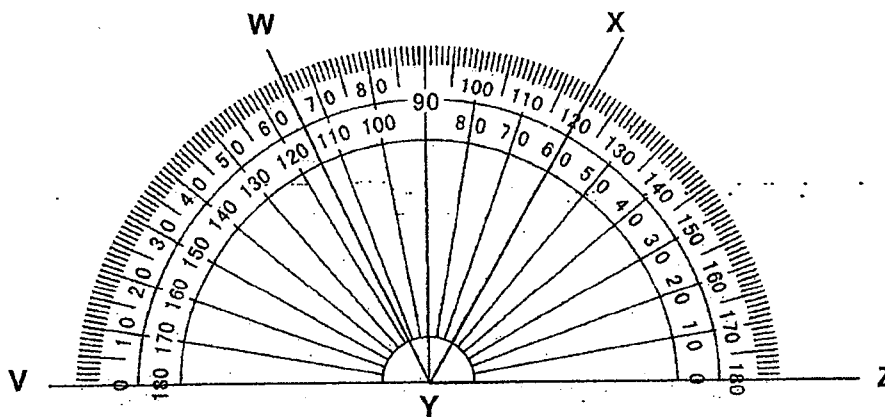
- (1) 6 m  
(2) 9 m  
(3) 24 m  
(4) 81 m
11. The perimeter of a rectangle is 108 cm. The length of the rectangle is 12 cm longer than its breadth. What is the breadth of the rectangle?
- (1) 21 cm  
(2) 24 cm  
(3) 84 cm  
(4) 96 cm

12. The figure below is made up of 2 rectangles, X and Y, and a square Z. Find the area of square Z.



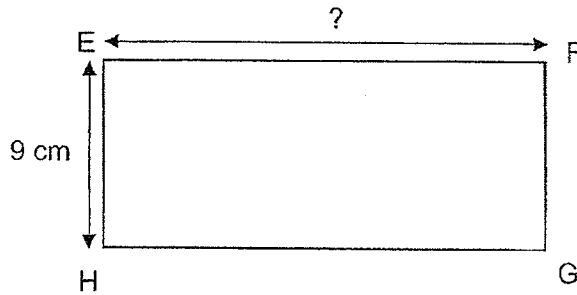
- (1)  $18 \text{ cm}^2$
- (2)  $27 \text{ cm}^2$
- (3)  $36 \text{ cm}^2$
- (4)  $81 \text{ cm}^2$

13. What is the size of  $\angle WYX$  in degree?

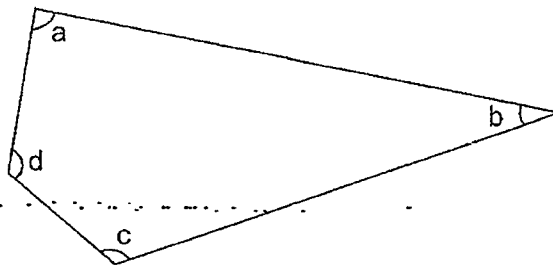


- (1)  $55^\circ$
- (2)  $65^\circ$
- (3)  $120^\circ$
- (4)  $180^\circ$

14. The perimeter of the rectangle EFGH is 56 cm. The breadth EH is 9 cm, find the length of EF.



- (1) 18 cm  
(2) 19 cm  
(3) 38 cm  
(4) 47 cm
15. In the figure below, which angle/s is/are greater than a right angle?



- (1)  $\angle b$  only  
(2)  $\angle a$  and  $\angle d$   
(3)  $\angle c$  and  $\angle d$   
(4)  $\angle a$ ,  $\angle c$  and  $\angle d$

**End of Booklet A**







Anglo-Chinese School  
(Primary)

A Methodist Institution  
(Founded 1886)

2022 SEMESTRAL ASSESSMENT 1  
MATHEMATICS  
BOOKLET B  
PRIMARY FOUR

Name: \_\_\_\_\_ ( ) Class: Primary 4 \_\_\_\_

Date: 11 May 2022

Duration of Booklets A & B: 1 hour 45 minutes

\_\_\_\_\_  
Parent's/Guardian's signature

**INSTRUCTIONS TO CANDIDATES**

1. This question paper consists of 17 printed pages, including the cover page.
2. Do not turn this page until you are told to do so.
3. Follow all instructions carefully.
4. Answer all questions.

Question	Maximum Marks	Marks Obtained
A. Multiple-Choice Questions	30	
B. Short Answers	40	
C. Problem Sums	30	
Total Marks	100	

**SECTION B - Short Answers (40 Marks)**

Questions 16 to 35 carry 2 marks each. Show all workings clearly.

Write your answer in the space provided. Give your answers in the units stated and in its simplest form whenever possible.

16. Write ninety-seven thousand and two in figures.

Ans: \_\_\_\_\_

17. Arrange the following numbers in ascending order.

2879, 2798, 2897, 2789

Ans: \_\_\_\_\_, \_\_\_\_\_, \_\_\_\_\_, \_\_\_\_\_

18. Find the value of  $3 - \frac{3}{8}$ .

Ans: \_\_\_\_\_

19. The number, when divided by 9, has a quotient of 406 and a remainder of 4.  
What is the number?

Ans: \_\_\_\_\_

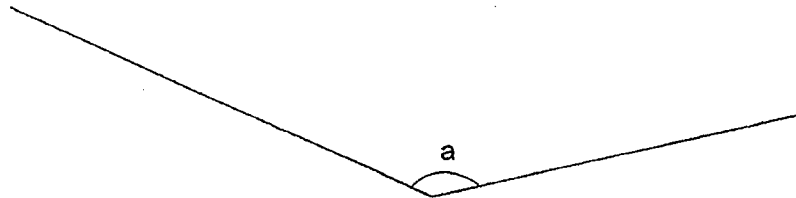
20. Write  $\frac{17}{6}$  as a mixed number.

Ans:  $2\frac{5}{6}$

21. I am a common multiple of 6 and 9. I am greater than 28 but lesser than 40.  
What number am I?

Ans: \_\_\_\_\_

22. Using a protractor, measure and write down the size of  $\angle a$  in the figure.



Answer : \_\_\_\_\_°

23. Arrange the following fractions from the greatest to the smallest.

Answer : \_\_\_\_\_ , \_\_\_\_\_ , \_\_\_\_\_  
(greatest) (smallest)

24. James bought 5 pencils and 2 markers for \$27. 1 marker cost twice as much as a pencil. How much did a marker cost?

Ans: \$ \_\_\_\_\_

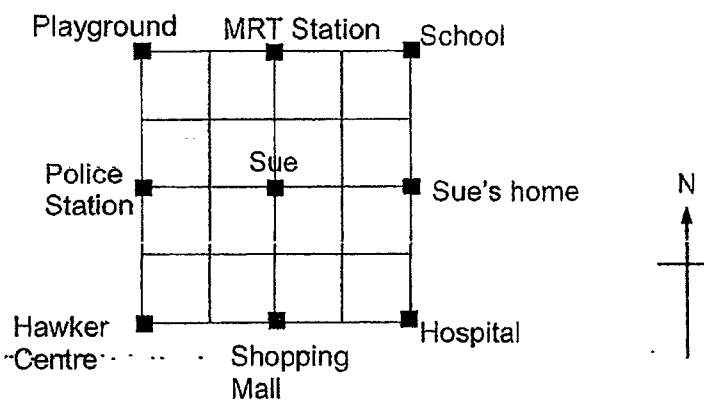
25.  $4 + \frac{9}{10}$  is equivalent to \_\_\_\_\_ tenths.

Answer : \_\_\_\_\_

26. Benjamin bought 397 bags of marbles. Each bag contains 17 marbles. How many marbles does he have altogether?

Ans: \_\_\_\_\_

27. The map show some places around Sue's neighbourhood.



Complete the table

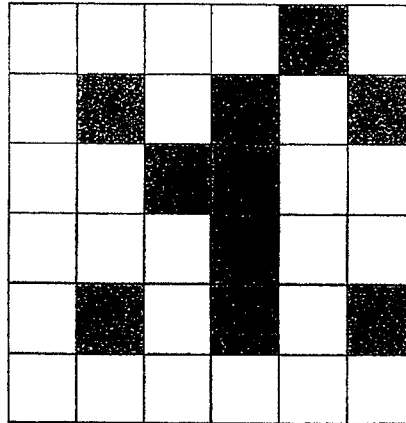
Sue is facing	If Sue turns	Sue will be facing
MRT Station	135° Clockwise	(a)
Hawker Centre	(b)	Playground

Answer : a) \_\_\_\_\_

b) \_\_\_\_\_

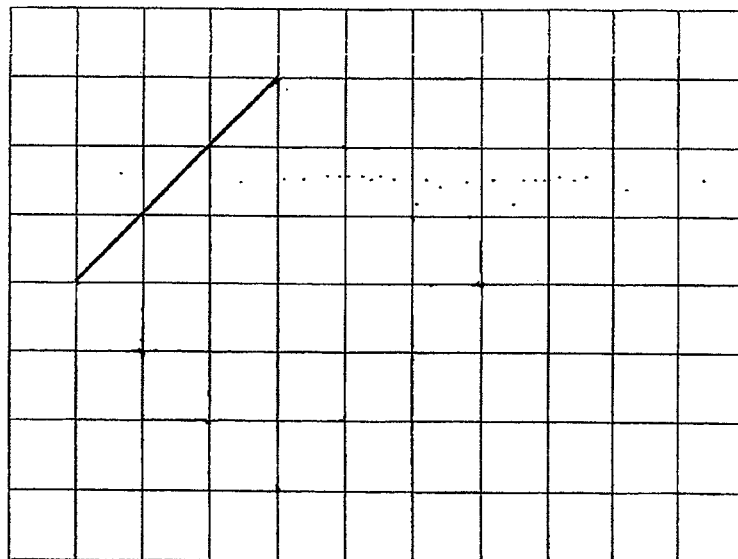
28. The figure below is made up of unit squares.

How many more squares must be shaded so that  $\frac{3}{4}$  of the figure is shaded?



Answer : \_\_\_\_\_

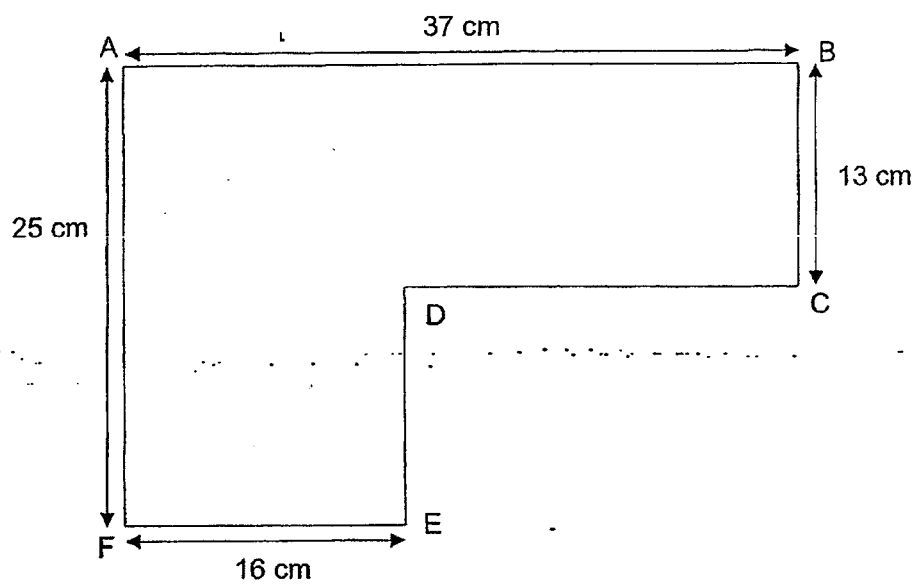
29. On the grid below, draw a square using the given line.



30. Two factors of 27 are 1 and 27. What are the other two factors of 27?

Ans: \_\_\_\_\_ and \_\_\_\_\_

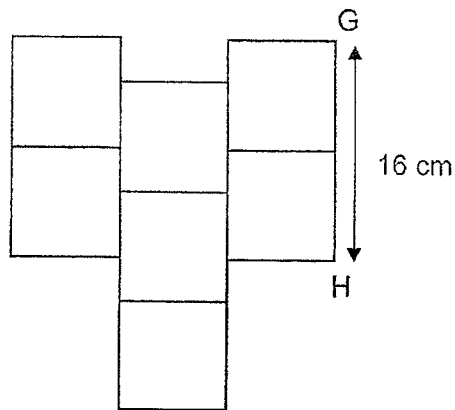
31. Find the area of the figure shown below.



Ans: \_\_\_\_\_ cm<sup>2</sup>



32. The figure below is made up of 7 identical squares. Given that GH is 16 cm, find the area of the figure.

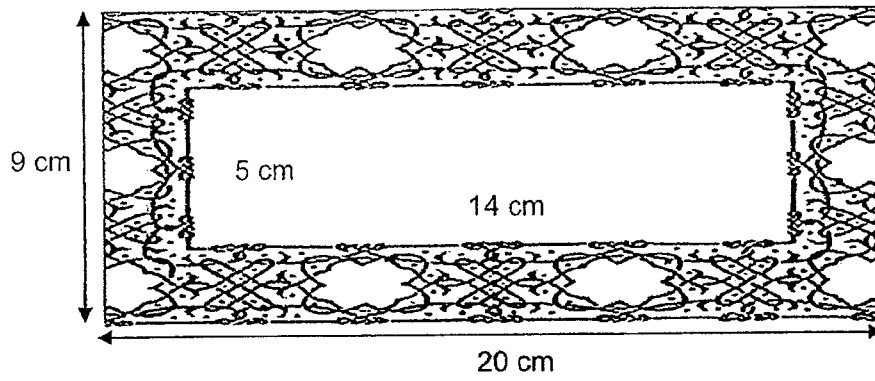


Ans: \_\_\_\_\_

33.  $\frac{3}{8}$  of Elle's magnets is 24. How many magnets does she have?

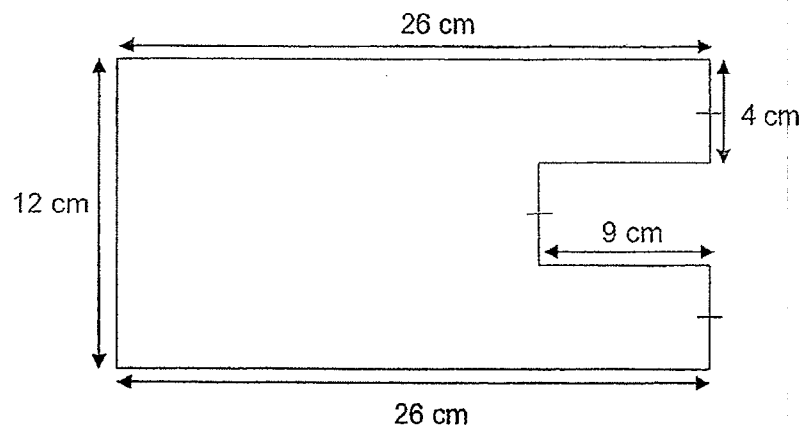
Answer : \_\_\_\_\_

34. A picture measuring 14 cm by 5 cm is mounted on a cardboard leaving some shaded border around it. Find the area of the shaded border.



Ans: \_\_\_\_\_ cm<sup>2</sup>

35. Find the perimeter of the figure below.



Ans: \_\_\_\_\_ cm

**SECTION C - Problem Sums (30 Marks) •**

For each question from 36 to 43, show your working and mathematical statements clearly in the space below each question. Write your answer in the answer space provided. Give your answers in the units stated and in its simplest form whenever possible. Marks awarded are shown in the brackets [ ].

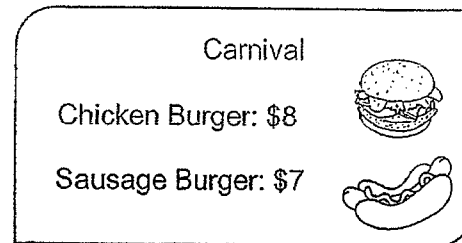
36. Mrs Ong has 2776 stamps. She kept 368 stamps for herself and gave away the rest to a group of friends. Each friend received 8 stamps. How many friends did she give the stamps?

Answer : \_\_\_\_\_ [3]

37. Charles walked  $\frac{3}{4}$  km to reach his home. Steve walked  $\frac{1}{3}$  km further to reach his home. What was the total distance both boys walked?  
(Leave your answer as a fraction)

Answer : \_\_\_\_\_ [3]

38. During a carnival, John collected \$4032 from the sale of chicken burgers and \$6874 from sausage burgers. How many more sausage burgers than chicken burgers were sold?



Answer : \_\_\_\_\_ [4]

39. Peter and John had the same amount of money at first. After Peter spent \$156 and John spent \$12, John had 4 times as much as money left as Peter. How much did John had at first?

Answer : \_\_\_\_\_ [4]

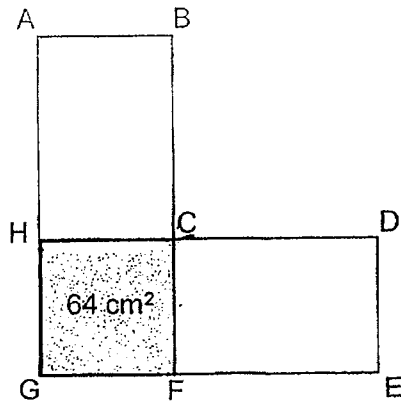
40. Mary had 374 pens and pencils. After she sold  $\frac{1}{4}$  of the pens and 108 pencils, she had an equal number of pens and pencils left. How many pens did she have at first?

Answer : \_\_\_\_\_ [4]

41. Mrs Tan invited her friends to her party. Her friends either brought 2 or 3 children with them to the party. There were 12 more friends who brought 3 children than those who brought 2 children. The total number of children at the party was 91. How many of Mrs Tan's friends brought 3 children to the party?

Answer : \_\_\_\_\_ [4]

42. In the figure below rectangles ABFG and DEGH are identical. The area of each rectangle ABFG and DEGH is  $176 \text{ cm}^2$  and the shaded square CFGH has an area of  $64 \text{ cm}^2$ . Find the perimeter of the rectangle DEGH.



Answer : \_\_\_\_\_ [4]



43.  $\frac{1}{4}$  of the bottle is filled with orange juice. After Andrew refilled with 800 ml of orange juice, it became  $\frac{7}{12}$  full. Find the capacity of the bottle in term of ml.

Answer : \_\_\_\_\_ [4]

End – of – Paper



SCHOOL : ANGLO CHINESE PRIMARY SCHOOL

LEVEL : PRIMARY 4

SUBJECT : MATH

TERM : 2022 SA1

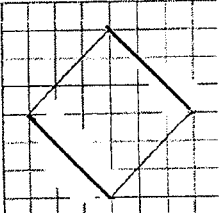
---

BOOKLET A

Q 1	Q2	Q3	Q4	Q5	Q6	Q7	Q8	Q9	Q10
3	3	4	1	4	4	2	2	1	3
Q 11	Q12	Q13	Q14	Q15					
1	4	1	2	3					

BOOKLET B

Q16)	97002
Q17)	2789, 2798, 2879, 2897
Q18)	$21/8$
Q19)	$406 \times 9 = 3654$ $3658 + 4 = 3658$
Q20)	2%
Q21)	36
Q22)	143
Q23)	$7/10, 2/5, 3/8$
Q24)	$27 \div 9 = 3$ $3 \times 2 = 6$
Q25)	49
Q26)	$397 \times 17 = 6749$
Q27)	a) Hospital b) $90^\circ$ clockwise

Q28)	$6 \times 6 = 36$ $36 \times \frac{3}{4} = 27$ $27 - 10 = 17$
Q29)	
Q30)	3 and 9
Q31)	$37 \times 25 = 925$ $37 - 16 = 21$ $25 - 13 = 12$ $21 \times 12 = 252$ $925 - 252 = 673$
Q32)	$16 \div 2 = 8$ $8 \times 8 = 64$ $64 \times 7 = 448$
Q33)	$24 \div 3 = 8$ $8 \times 8 = 64$
Q34)	$20 \times 9 = 180$ $14 \times 5 = 70$ $180 - 70 = 110$
Q35)	$26 + 4 + 9 + 4 + 9 + 4 + 26 + 12 = 94$
Q36)	$2776 - 368 = 2408$ $2408 \div 8 = 301$
Q37)	$\frac{3}{4} = \frac{3}{4} = 1 \frac{1}{2}$ $1 \frac{1}{2} + \frac{1}{3} = 1\frac{5}{6} \text{ km}$
Q38)	$4032 \div 8 = 504$ $6874 \div 7 = 982$ $982 - 504 = 478$

Q39)	$156 - 12 = 144$ $144 \div 3 = 48$ $48 + 156 = \$204$	
Q40)	$374 - 108 = 266$ $266 \div 7 = 38$ $38 \times 4 = 152$	
Q41)	$12 \times 3 = 36$ $91 - 36 = 55$ $55 \div 5 = 11$ $11 + 12 = 23$	
Q42)	$64 = 8 \times 8$ $176 \div 8 = 22$ $22 + 8 = 30$ $30 \times 2 = 60\text{cm}$	
Q43)	$800 \div 4 = 200$ $200 \times 12 = 2400\text{ml}$	

